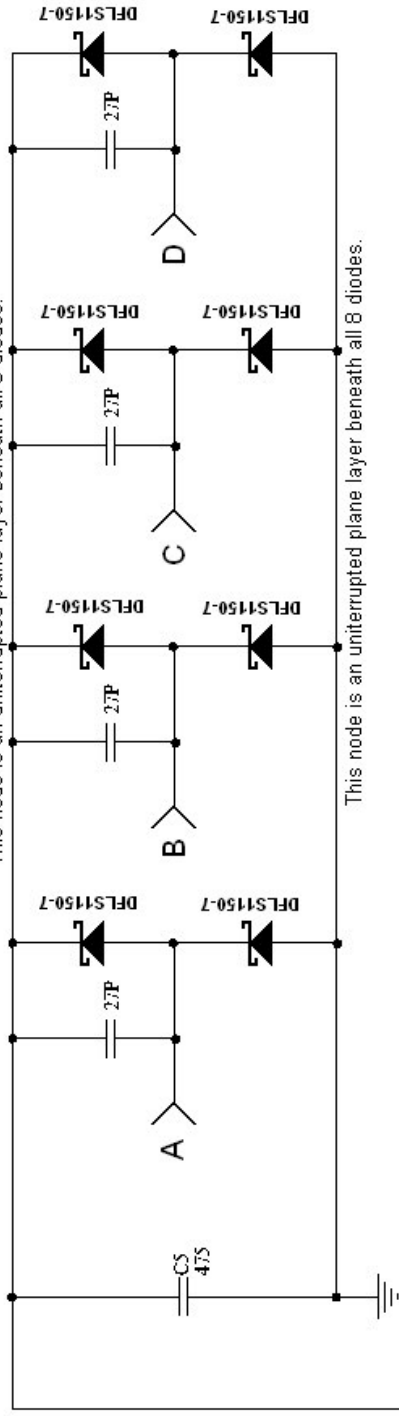
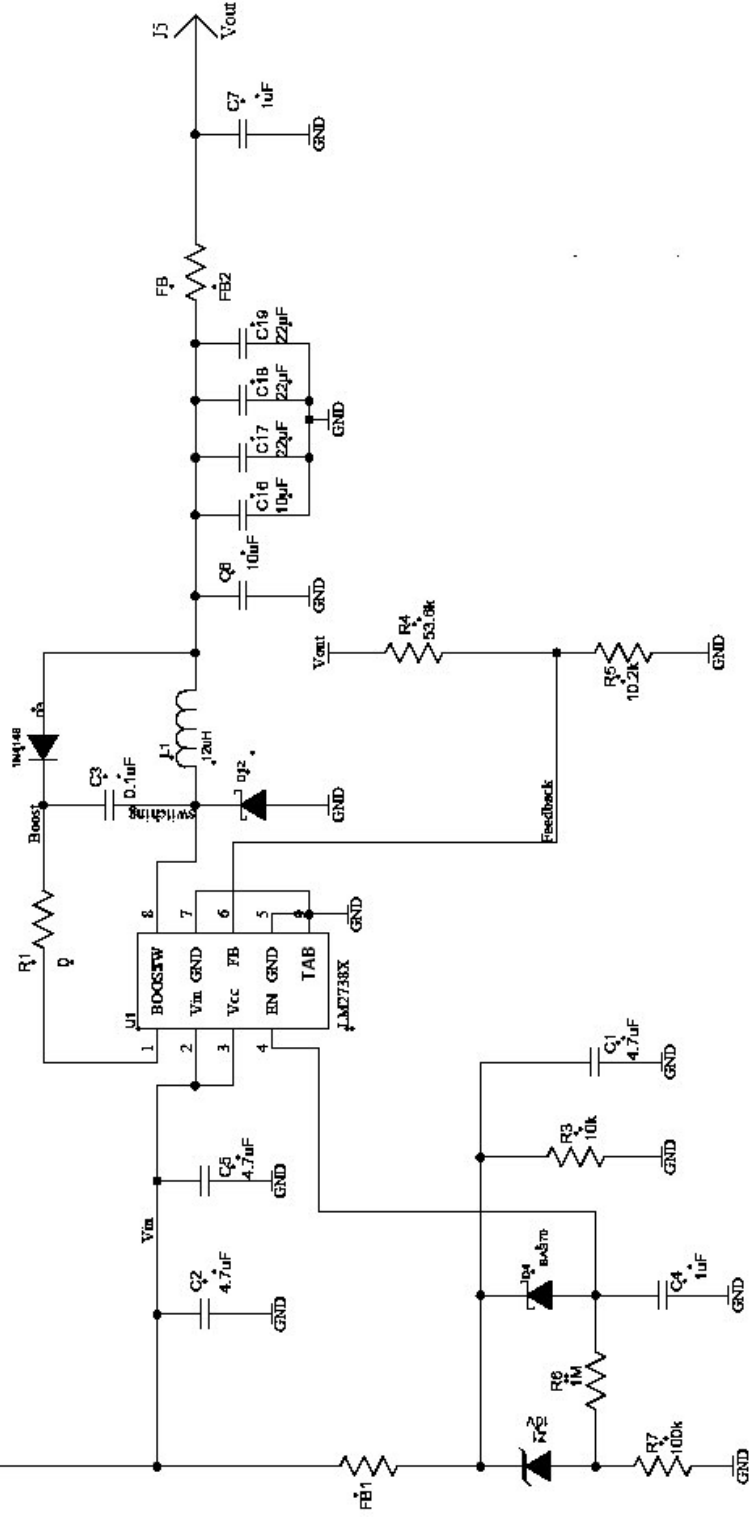


This node is an uninterrupted plane layer beneath all 8 diodes.



This node is an uninterrupted plane layer beneath all 8 diodes.



Open Dots Power Receiver, 5V , 1A